



Model 480 TTY PLUS

For Teleprocessing and
Telecommunications



Features

- Fully TTY Compatible.
- Switchable . . .
- 110 to 9600 BAUD.
- Optional Char/Line Insert/Delete.
- Can operate in block transmit mode.
- Protected Forms Areas for form fillout modes.

General

Conrac's new TTY PLUS Data Terminal brings a totally different design concept to the group of terminals commonly referred to as TTY replacements. Most devices in this group are simply that—TTY replacements, nothing more, nothing less—and simply operate in the classic TTY echo mode. But the Conrac TTY PLUS is considerably more.

Basically, besides being a fully buffered terminal that stores and displays up to eight 80 character lines, the Conrac 480 can: 1) Operate at switchable line rates from 110 to 9600 BAUD, 2) Operate in a block transmit mode, and 3) Provide protected forms areas. And, it offers these additional capabilities at an extremely competitive price.

To enable the Model 480 to be used in a wide spectrum of physical environments, careful attention has been given to its physical appearance. With its pleasing modern lines, the TTY PLUS makes an attractive addition to any office, terminal, commercial, or industrial decor. Designed to appear attractive from the rear as well as the front, it can be used in a wide variety of customer service locations. Also, the size and form factor of the 480 were chosen to be the same as popular electric typewriters, so that it easily fits on all standard secretarial desks and alcove "L's"—no costly special furniture or custom made cabinetry is required.

The Conrac TTY PLUS uses a keyboard essentially identical to the standard teletype keyboard so that no retraining of operators is necessary. For performance and reliability, the TTY PLUS uses the latest technologies including an MOS memory. To reduce operator fatigue, the screen is refreshed at a flicker free rate of 60 Hz (50 Hz in the international version). As far as power is concerned, the TTY PLUS is truly international in design. It will operate from most of the common power mains around the world: 105 to 260 volts ac, 50/60 Hz, and consumes less than 80 watts of power.

Several edit function options are available which make for more flexible operation and improve operator convenience. These include: 1) character insert/delete, 2) line insert/delete, 3) forms protect, and 4) scroll up/down.

Additional features included as standard with the TTY PLUS are a printer output by means of a standard RS232 interface connector, a bell to attract operator attention, and a jump cursor.

Specifications

Viewable CRT Area: 6 inches wide by 3 inches high.

Character Presentation: 80 characters x 6 lines (8 optional). 60 characters x 8 lines optional.

Character Generator: 5 x 7 Dot Matrix.

Character Set: ASCII 64 Sub-Set.

I/O Capabilities: RS232C at 110 to 9600 BAUD.

Mode: Full Duplex.

Keyboard: Standard TTY.

Character Typeover: Standard.

Partial Transmit: Optional.

Block Transmit: Optional.

Character Insert/Delete: Optional.

Line Insert/Delete: Optional.

Forms Protect: Optional.

Scroll Up/Down: Optional.

Additional Features:

Printer Output: Standard RS232 Interface Connector at same rate as line.

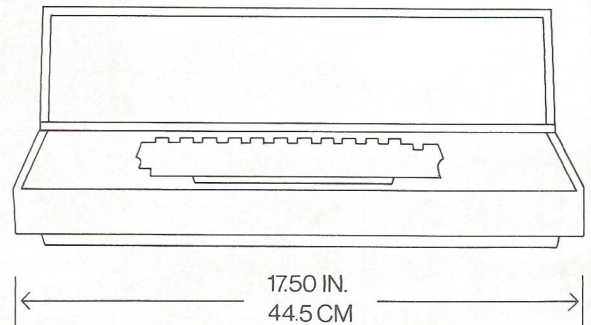
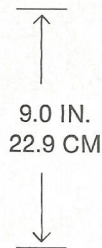
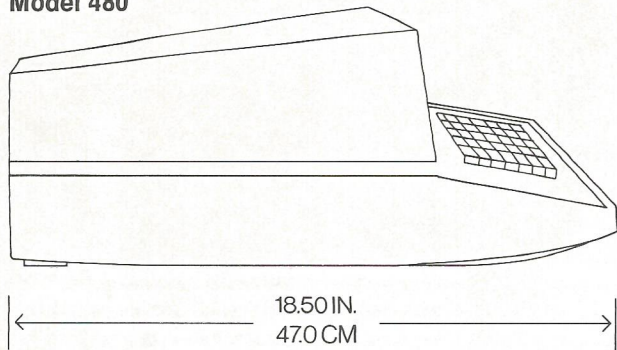
Bell: To attract Operator's attention.

Repeat: Any operational key will repeat at 6 CPS when repeat key is also depressed.

Power Requirements: 105 to 260 volts ac, 50/60 Hz, 80 watts.

Power Certification: UL and CSA approvable.

Model 480



CONRAC

Conrac Division
600 North Rimsdale Avenue
Covina, California 91722
213 966-3511, Telex 670437

ELEKTRON
Werk für angewandte Elektronik GmbH
Zweigniederlassung München
8 München 40
Tengstraße 27/1 - Tel. 37 65 28-29